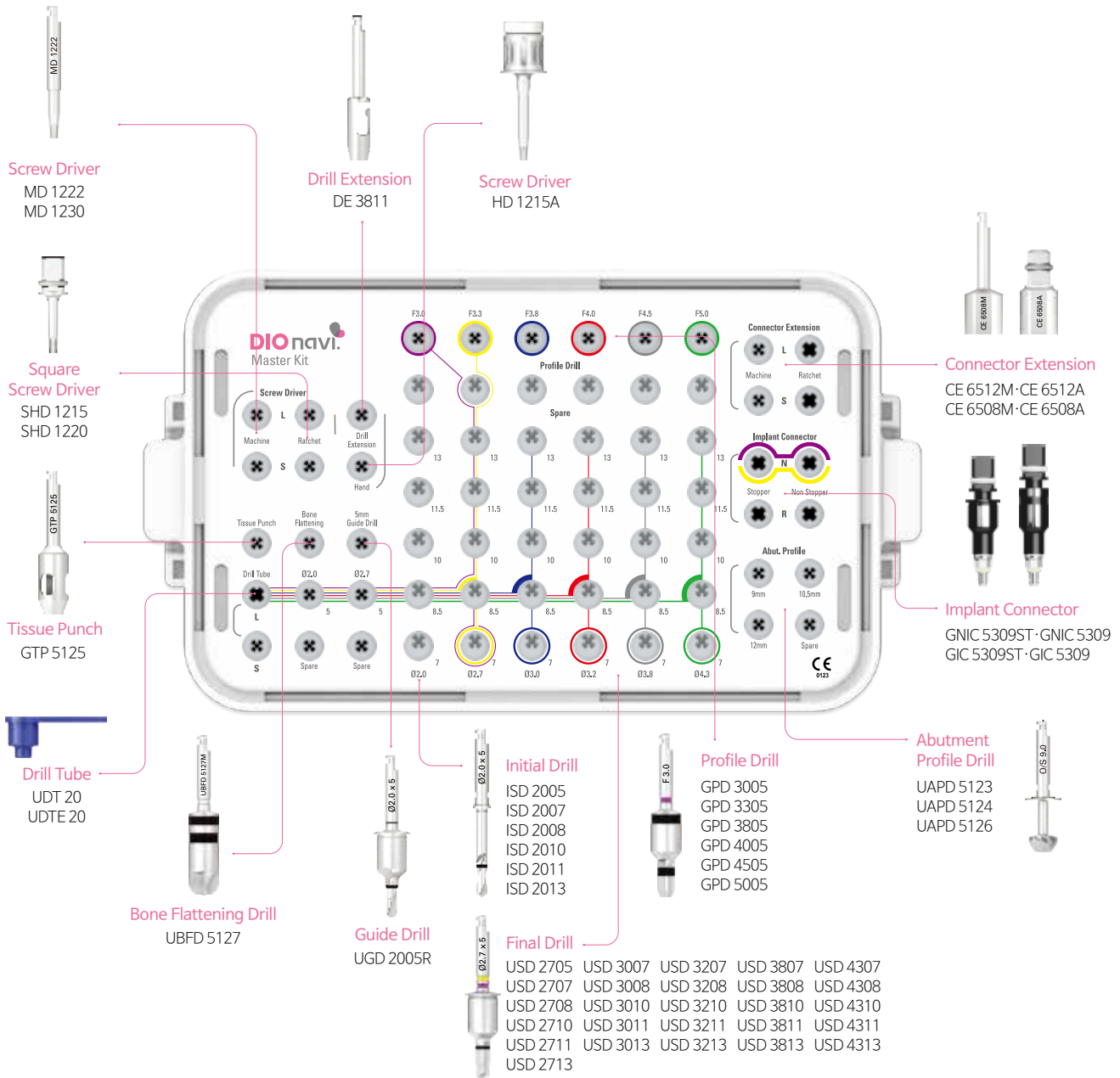


DIOnavi. Master Kit Kit Code I UF 05

- Kit composed of drill with outstanding cutting force and durability, etc.
- UFII Narrow $\varnothing 3.0$ $\varnothing 3.3$ UF(II) Regular $\varnothing 3.8$ $\varnothing 4.0$ $\varnothing 4.5$ $\varnothing 5.0$ Fixture
- Guide Sleeve : GS 53

Unit mm | Drill Scale 1 : 0.9



Surgical Tool

Tissue Punch

- Gingiva can be removed stably using a fixed blade inside the punch.
(Flapless Surgery)



K D $\varnothing 3.0$

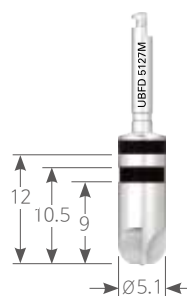
Unit mm | Scale 1 : 1

Code

GTP 5125

Bone Flattening Drill

- Remaining gingiva is removed for easier drilling,
and irregular alveolar crest is flattened.



K D $\varnothing 5.1$

Unit mm | Scale 1 : 1

Code

UBFD 5127

Guide Drill

- A hole on the bone is initially formed
on the bone for easier insertion of the initial drill.



K D $\varnothing 2.0$ Length 5

Unit mm | Scale 1 : 1

Code

UGD 2005R

Drill Extension



K Length 11

Unit mm | Scale 1 : 1

Code

DE 3811

Surgical Tool

Drill Tube

· To fix the guide drill and the initial drill without shakage.



● Sold separately

Unit mm | Scale 1:1

Code	UDT 20	UDTE 20	UDTL 20

Initial Drill

· A placement hole (osteotomy site) is formed on the cortical bone.



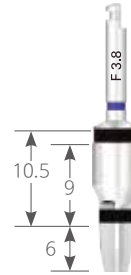
● Sold separately

Unit mm | Scale 1:1

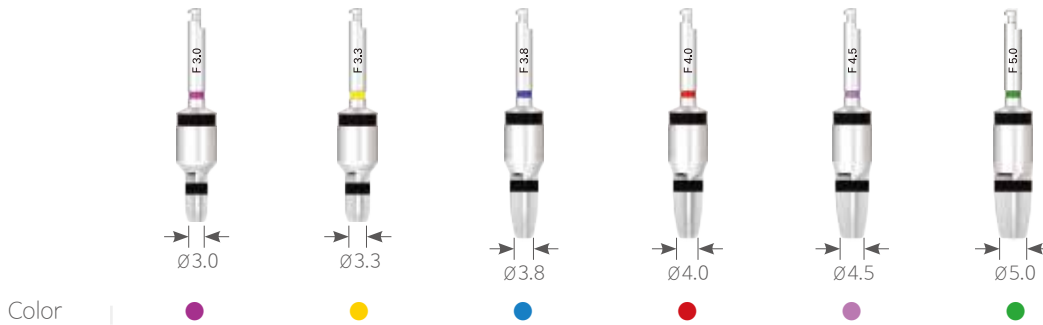
Code	ISD 2005	ISD 2007	ISD 2008	ISD 2010	ISD 2011	ISD 2013	ISD 2015

Profile Drill

- The cortical bone is further drilled in D1 and D2 bones, and excessive placement torque is prevented.



K		Unit mm Scale 1 : 1				
Fixture Size	Ø3.0	Ø3.3	Ø3.8	Ø4.0	Ø4.5	Ø5.0
Code	GPD 3005	GPD 3305	GPD 3805	GPD 4005	GPD 4505	GPD 5005

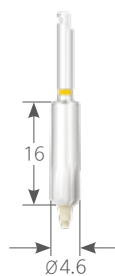


Bone Profile Drill

- When connecting abutment (healing) after implant placement, It is necessary to contour the bone for proper seating of the abutments. (to contour bone to allow for a wider emergence profile restoration)
- To flatten and remove bone that has grown around or over an implant which impedes its restoration. (When use a Abutment (with Healing Abutment)
- When abutment is completely tightened transmucosal recovery time is reduced.

● Sold separately

K		Unit mm Scale 1 : 1	
Code	BPD 4616GN		BPD 5608G



Type

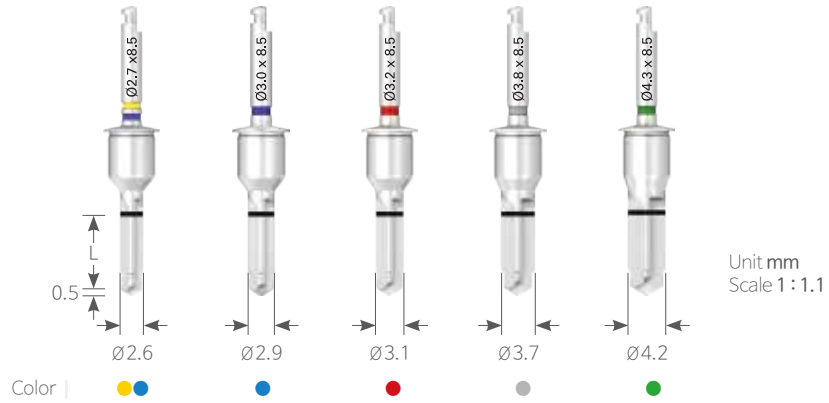
Narrow

Regular

Surgical Tool

Final Drill

· The drill hole is expanded to the final drilling.



K D Ø2.6

● Sold separately

Unit mm | Scale 1:1

Code	USD 2705	USD 2707	USD 2708	USD 2710	USD 2711	USD 2713	USD 2715
------	----------	----------	----------	----------	----------	----------	-----------------



Length	5	7	8.5	10	11.5	13	15
--------	---	---	-----	----	------	----	----

K D Ø2.9

Unit mm | Scale 1:1

Code	USD 3005	USD 3007	USD 3008	USD 3010	USD 3011	USD 3013	USD 3015
------	-----------------	----------	----------	----------	----------	----------	-----------------



Length	5	7	8.5	10	11.5	13	15
--------	---	---	-----	----	------	----	----

● Sold separately

K D Ø3.1

Unit mm | Scale 1 : 1

Code **USD 3205** USD 3207 USD 3208 USD 3210 USD 3211 USD 3213 **USD 3215**



Length | 5 7 8.5 10 11.5 13 15

K D Ø3.7

Unit mm | Scale 1 : 1

Code **USD 3805** USD 3807 USD 3808 USD 3810 USD 3811 USD 3813 **USD 3815**



Length | 5 7 8.5 10 11.5 13 15

K D Ø4.2

Unit mm | Scale 1 : 1

Code **USD 4305** USD 4307 USD 4308 USD 4310 USD 4311 USD 4313 **USD 4315**



Length | 5 7 8.5 10 11.5 13 15

Surgical Tool

Tap Drill

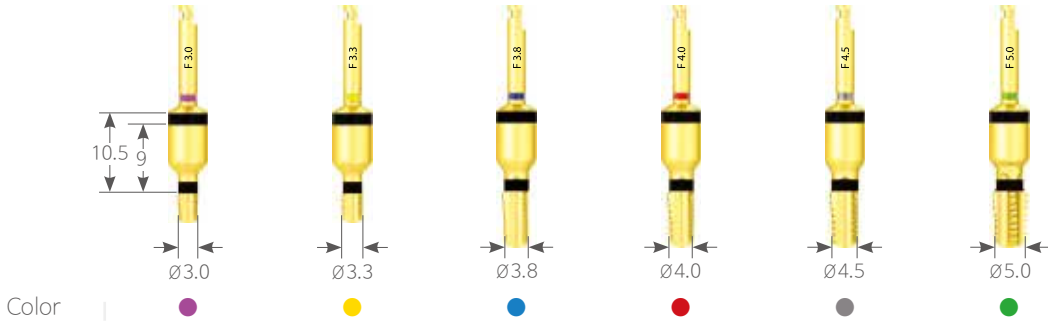
- Excessive implant placement torque is prevented.
- $\varnothing 3.0/\varnothing 3.3$: Uses 5.3 Sleeve (GS 53BL: Blue)

● Sold separately

Unit mm | Scale 1:1

K

Fixture Size	$\varnothing 3.0$	$\varnothing 3.3$	$\varnothing 3.8$	$\varnothing 4.0$	$\varnothing 4.5$	$\varnothing 5.0$
Code	GNTD 3015	GNTD 3315	GTD 3815	GTD 4015	GTD 4515	GTD 5015



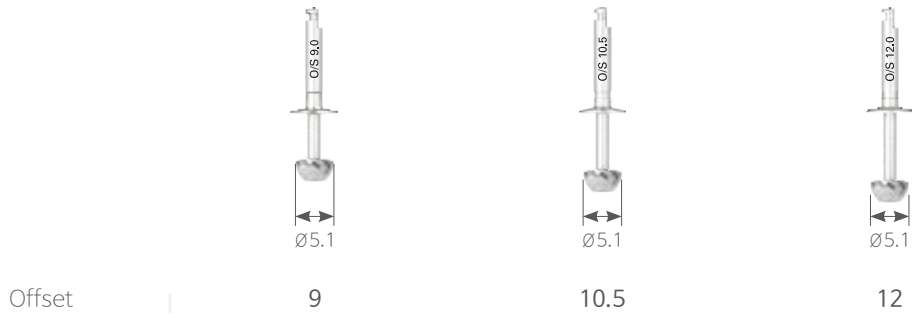
Abutment Profile Drill

- The cortical bone disrupting sitting of the abutment is removed, and emergence profile is formed.

K

Unit mm | Scale 1:1

Code	UAPD 5123	UAPD 5124	UAPD 5126
------	-----------	-----------	-----------



Connector Extension

- Length of the connector is extended during implant placement.

K

Unit mm | Scale 1:1

Code	CE 6508A	CE 6508M	CE 6512A	CE 6512M
------	----------	----------	----------	----------



Implant Connector

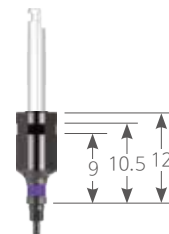
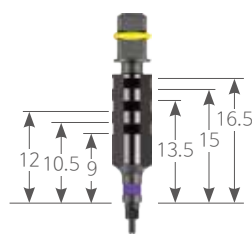
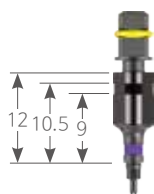
- Implant is placed according to depth of the fixture and direction of the internal hex planned in advance.
- Recommended use of UF(II) Narrow : 20 times / Be careful about excessive torque of 50Ncm or above.

● Sold separately

K

Unit mm | Scale 1 : 1

Type	Ratchet			Machine
Code	Non-Stopper	Stopper	Multi	Non-Stopper



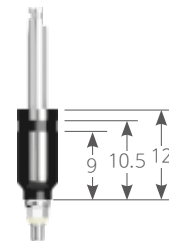
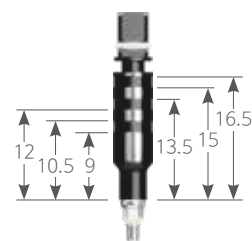
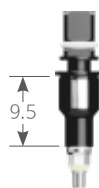
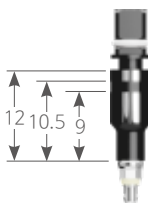
UFII **Narrow**

GNIC 5309

GNIC 5309ST

GNIC 5317

GNICC 5309



UFII **Regular**

GIC 5309



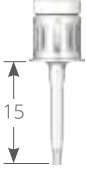
GIC 5309ST

GIC 5317

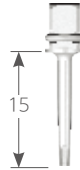
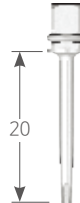
GICC 5309

Surgical Tool

Screw Driver

K Hex 1.2		Unit mm Scale 1:1		
Code	MD 1222	MD 1230	HD 1215A	
				
Type	Machine	Machine	Ratchet	

Sqaure Screw Driver

K Hex 1.2		Unit mm Scale 1:1	
Code	SHD 1215	SHD 1220	
			

Torque Wrench

To place the fixture using an implant connector



K		Unit mm Scale 1:1	
Code	DTW 0080		